



whitepaper

Car lift and automated parking

The safety light curtains are placed on board of the platform at the entry and exit site of the vehicle, in order to ensure the safety of installation during the movement of the platform.



Request

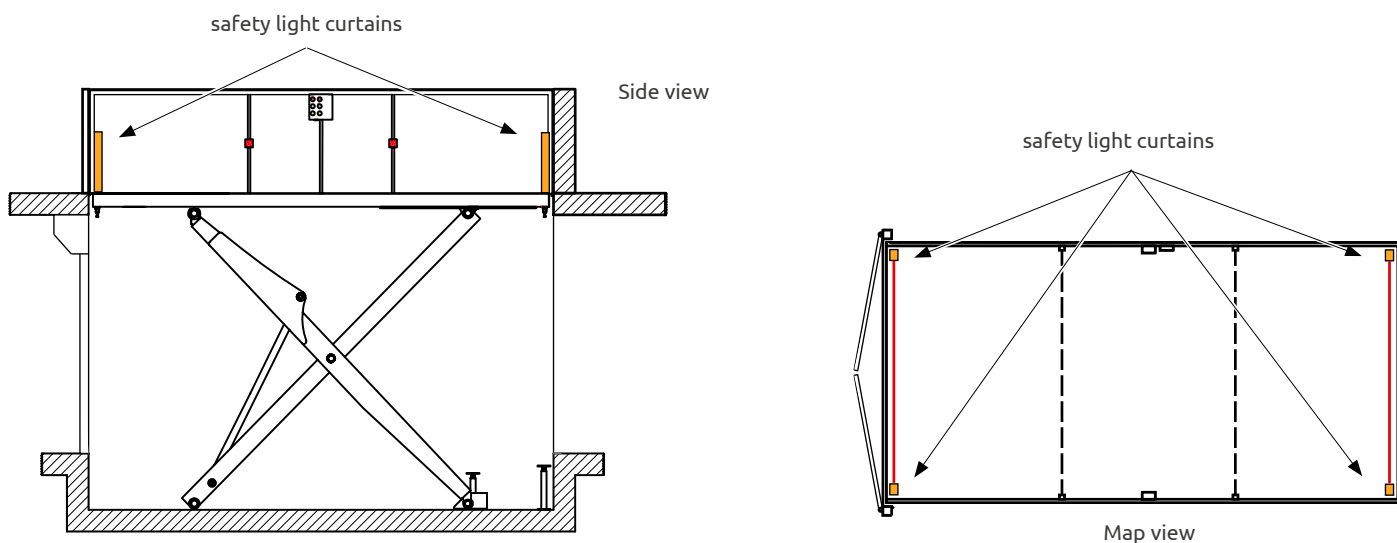
Protect vertical transporter and shuttle platforms for automated car parking to avoid the dangers of crushing and shearing during the movement of the platform.

The safety light curtain is part of a series of safety devices that perform the compliance of the parking system with 2006/42/EC Directive.

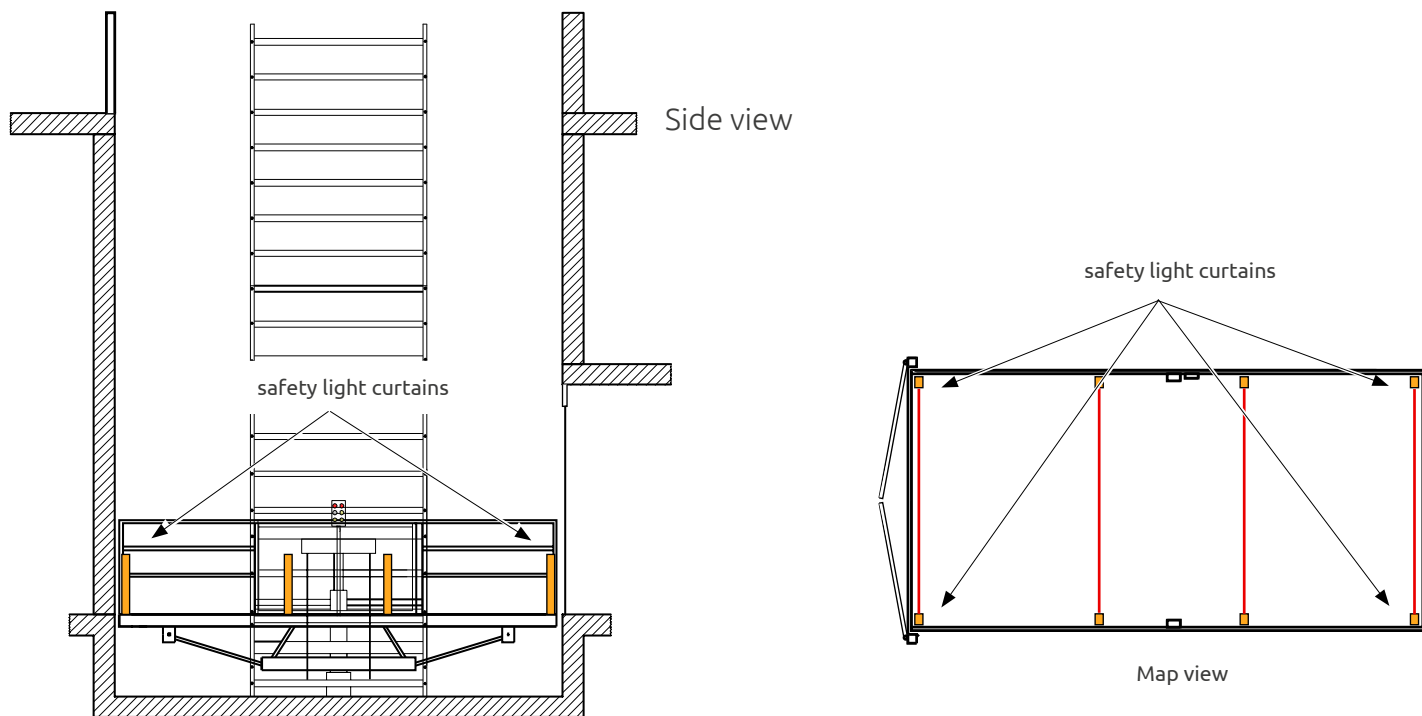
The picture 1 on the left shows a typical installation of the light curtains: the platform movement is immediately and automatically blocked as soon as the vehicle is detected, thus protecting it from contact with the surrounding wall.

Achievement

Installation of safety light curtains **EOS2 755 A** (type 2 SIL2 - Pld with resolution of 50 mm and max. range of 12 m) on the outer sides of the platform, as shown in the following picture.



Pantograph lifting system



Car parking lift that operates with a column system



Your future's safe!

More than 60 years of quality and innovation

Founded in Turin (Italy) in 1959, ReeR distinguished itself for its strong commitment to innovation and technology.

A steady growth throughout the years allowed ReeR to become a point of reference in the safety automation industry at a worldwide level.

The Safety Division is in fact today a world leader in the development and manufacturing of safety optoelectronic sensors and controllers.

ReeR is ISO 9001, ISO 14001 and ISO 45001 certified.



REER | academy

ReeR SpA

Via Carcano, 32
10153 Torino

T 011 248 2215

F 011 859 867

www.reersafety.com | info@reer.it



Code	WP AN 01
Product	EOS2
Data	07-11-2012
Application	Car lift and automated parking
Object	The safety light curtains are placed on board of the platform at the entry and exit site of the vehicle, in order to ensure the safety of installation during the movement of the platform.